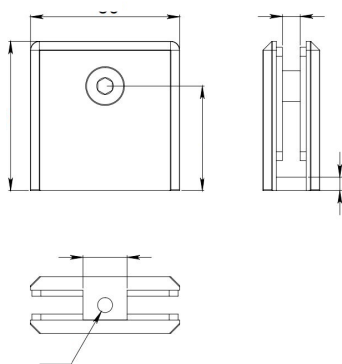




SKU: 1486000SA

CONNECTOR WITH SMALL BASE

Connector with small base and a fixing screw. Glass installation is flush. It is recommended to install a connector every 1.50m of maximum separation. *Anchor to the floor or wall with an expansion plug.



- Finish: Satin
- Material: Stainless Steel AISI 304
- Special Features: Do not use chlorine-based cleaners, it is recommended to use cleaner 138010100.
- Sales unit: 10 pieces
- Attachments: Includes screws.
- Maximum Weight: 25kg per piece thickness for glass with a thickness of 6 to 10mm.



**TEMPERED
GLASS EXPERTS**

5200 NTE Mesa ST-D108, El Paso, TX

+1 915-257-1009

temperedglassexperts@gmail.com